

MAX150 Complete Kit

Series

MAX150

Cut Sheet

MAXI 150 Series

6" Wide HYDROTEC MAXI 150 Fiber Reinforced Concrete Trench Drain Kit



D Class Ductile Slotted Standard

New Fiber Reinforced Concrete Trench Drain Complete Kit 6 Inch Wide - C Class Ductile Iron Grate Standard.

Complete system - Each Kit Includes:

- Specified Number of 1 Meter Sections MAXI 150 Channel.
- Specified Number of C Class Ductile Iron Slotted Grates Standard.
- 2 End Caps - 1 Solid End Cap - 1 Outlet End Cap.
- Integrated Ductile Edge.

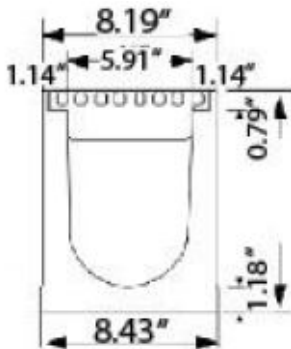
Features of MAXI 150:

- MAXI excels at projects requiring the maximum load bearing capabilities.
- Screwless, patented locking system that reduces time of installation.
- Fiber-reinforced concrete C35 / 45 channel.
- Precast outlet for a vertical connection to 4" and 6" pipes.
- Ductile Iron Edge Rails and Ductile Iron Grates.

Number MAXI 150 Channel	Series MAX150 Trench Drain Channel MAXI 150
--	--

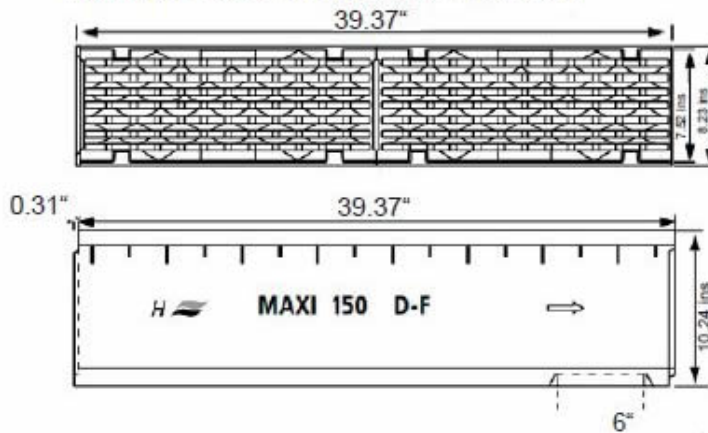


MAXI 150

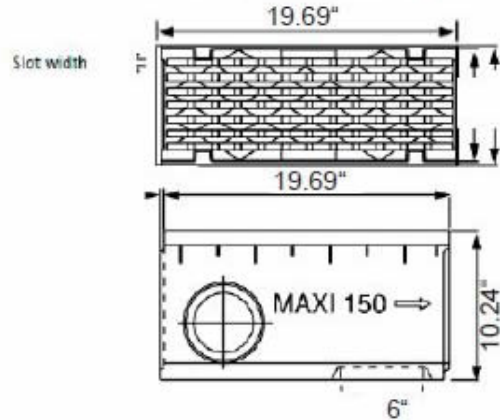


Product Description	With Ductile Iron ADA Class D Grate Part No.	Weight Lbs	With Ductile Iron Class E Grate Part No.	Weight Lbs	With Ductile Iron ADA Class F Grate Part No.	Weight Lbs	'A' Shallow Invert Inches [mm]	'B' Shallow Invert Inches [mm]
Neutral Channel 39.37" (1m)	CHG61540-000	169.76	CHG62150-000	169.76	CHG61560-000	169.76	8.27"[210]	8.27"[210]
Neutral Channel 19.69" (0.5m)	CHG61540-005	80.47	CHG62150-005	80.47	CHG61560-005	84.66	8.27"[210]	8.27"[210]
M1 Sloped Channel 39.37" (1m)	CHG61540-011	164.24	CHG62150-011	164.24	CHG61560-011	173.28	8.27"[210]	8.66"[220]
M2 Sloped Channel 39.37" (1m)	CHG61540-021	167.11	CHG62150-021	167.11	CHG61560-021	175.71	8.66"[220]	9.06"[230]
M3 Sloped Channel 39.37" (1m)	CHG61540-031	170.64	CHG62150-031	170.64	CHG61560-031	179.68	9.06"[230]	9.45"[240]
M4 Sloped Channel 39.37" (1m)	CHG61540-041	175.27	CHG62150-041	175.27	CHG61560-041	180.78	9.45"[240]	9.84"[250]
M5 Sloped Channel 39.37" (1m)	CHG61540-051	176.37	CHG62150-051	176.37	CHG61560-051	182.98	9.84"[250]	10.23"[260]
Neutral Channel 39.37" (1m)	CHG61540-050	185.19	CHG62150-050	185.19	CHG61560-050	185.19	10.23"[260]	10.23"[260]
Neutral Channel 19.69" (0.5m)	CHG61540-055	89.29	CHG62150-055	89.29	CHG61560-055	91.05	10.23"[260]	10.23"[260]
M6 Sloped Channel 39.37" (1m)	CHG61540-061	181.00	CHG62150-061	181.00	CHG61560-061	186.73	10.23"[260]	10.63"[270]
M7 Sloped Channel 39.37" (1m)	CHG61540-071	182.54	CHG62150-071	182.54	CHG61560-071	194.67	10.63"[270]	11.02"[280]
M8 Sloped Channel 39.37" (1m)	CHG61540-081	186.29	CHG62150-081	186.29	CHG61560-081	191.14	11.02"[280]	11.42"[290]
M9 Sloped Channel 39.37" (1m)	CHG61540-091	188.94	CHG62150-091	188.94	CHG61560-091	198.20	11.42"[290]	11.81"[300]
M10 Sloped Channel 39.37" (1m)	CHG61540-101	194.01	CHG62150-101	194.01	CHG61560-101	198.42	11.81"[300]	12.20"[310]
Neutral Channel 39.37" (1m)	CHG61540-100	194.01	CHG62150-100	194.01	CHG61560-100	198.42	12.20"[310]	12.20"[310]
Neutral Channel 19.69" (0.5m)	CHG61540-105	98.11	CHG62150-105	98.11	CHG61560-105	99.21	12.20"[310]	12.20"[310]
Catch Basin 19.69" (0.5m)	CHG61540-008	143.30	CHG62150-008	143.30	CHG61560-008	143.30	19.69"[500]	19.69"[500]

Channel with 2 grates, water intake area 114.08 sq. ins



Water intake area 57.04 sq. ins



Manufacturer



Specification

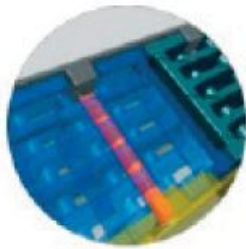
HYDROTEC MAXI 150 SERIES FIBER REINFORCED CONCRETE WITH A DUCTILE IRON EDGE 6" WIDTH DRAINAGE CHANNEL. WITH SLOPE , SUPPLIED BY TRENCH DRAIN SUPPLY.

DISCLAIMER - The customer and the customer's architects, engineers, consultants, and other professionals are completely responsible for the selection installation and maintenance of any product purchased from Trench Drain Supply and/or its manufacturers. TRENCH DRAIN SUPPLY MAKES NO WARRANTY, EXPRESS OR IMPLIED, AS TO THE SUITABILITY, DESIGN, MERCHANTABILITY, OR FITNESS OF THE PRODUCT FOR CUSTOMERS APPLICATION. The drawing and information provided remain the property and copyright of the manufacturer listed. The manufacturer reserves the right to modify specification without notice.

<p>Number</p> <p>MAXI Overview</p>	<p>Series</p> <p>MAXI Trench Drain Channel MAXI</p>
--	---

The MAXI trench drain system is ideal for heavy duty applications thanks to its ductile iron frame and grates. With a choice of load classes C, D, E or F, the MAXI system excels at projects requiring the maximum resistance and load bearing capabilities.

Sizes 4", 6", 8" or 12" wide trench drains are available in 39.37" (1000mm) and 19.69" (500mm) long and they are easily joined together by connecting male and female profiles.



- Screwless, patented locking system that reduces time of installation
- Channels available in 4", 6", 8" and 12" wide
- Available flat (all sizes) and pre-sloped (4" and 6" only)



- Ductile Iron Grates
- Available in ADA and Heel Proof
- Longitudinal or Cross Slots
- Load Class C, D, E and F
- High Water Absorption



- Fiber-reinforced concrete C35 / 45 channel
- Ductile Iron Frame
- Precast outlet for a vertical connection to 4" and 6" pipes
- Connecting male and female profiles for precise fit

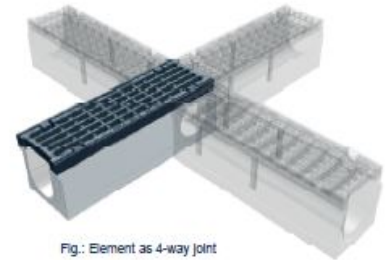
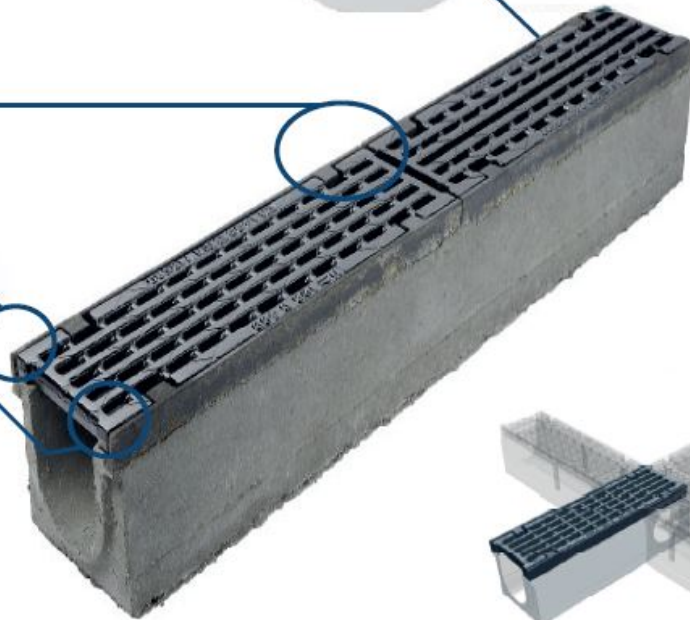



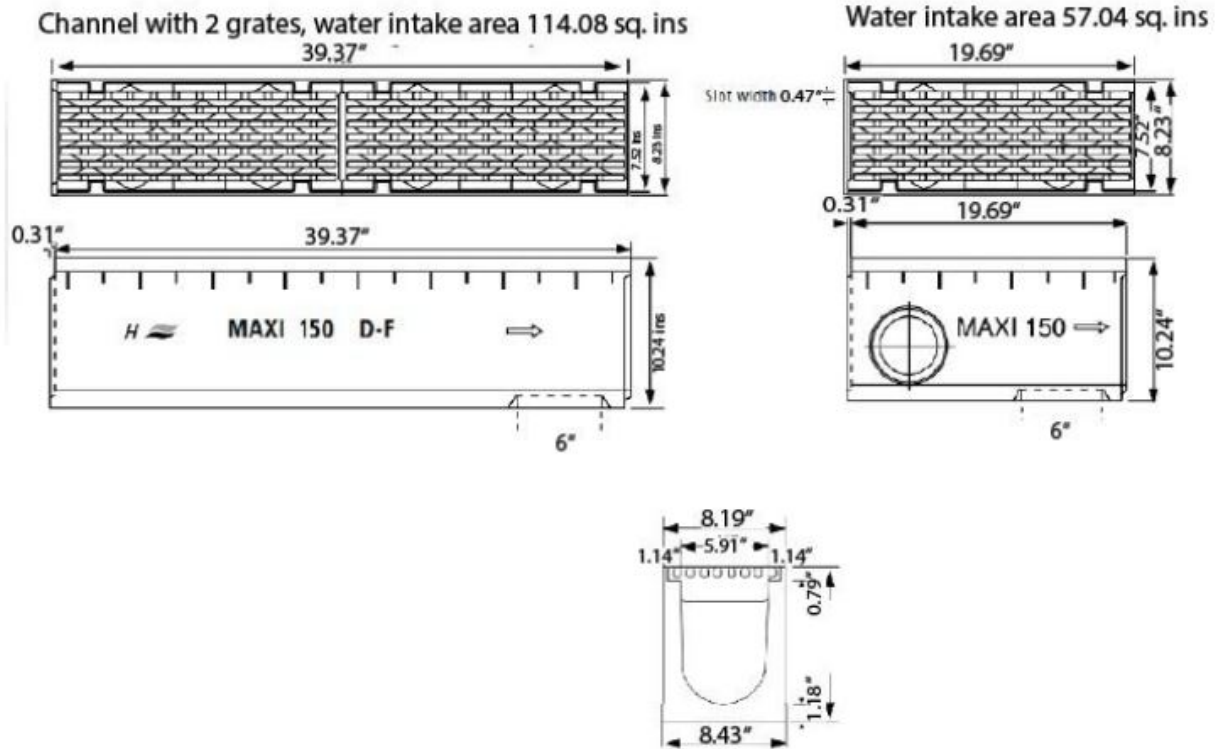
Fig.: Element as 4-way joint

<p>Manufacturer</p> 	<p>Specification</p> <p>HYDROTEC MAXI 100 SERIES FIBER REINFORCED CONCRETE WITH A DUCTILE IRON EDGE 4" WIDTH DRAINAGE CHANNEL. WITH SLOPE , SUPPLIED BY TRENCH DRAIN SUPPLY.</p>
--	---


DISCLAIMER - The customer and the customer's architects, engineers, consultants, and other professionals are completely responsible for the selection installation and maintenance of any product purchased from Trench Drain Supply and/or its manufacturers. TRENCH DRAIN SUPPLY MAKES NO WARRANTY, EXPRESS OR IMPLIED, AS TO THE SUITABILITY, DESIGN, MERCHANTABILITY, OR FITNESS OF THE PRODUCT FOR CUSTOMERS APPLICATION. The drawing and information provided remain the property and copyright of the manufacturer listed. The manufacturer reserves the right to modify specification without notice.

<p>Number MAXI 150 D Class Grate</p>	<p>Series MAX150 Trench Drain Grate MAXI 150</p>
--	--

MAXI150 with Ductile Iron ADA Load Class D (Part No. CHG61540-*) and ADA Load Class F (Part No. CHG61560-*)

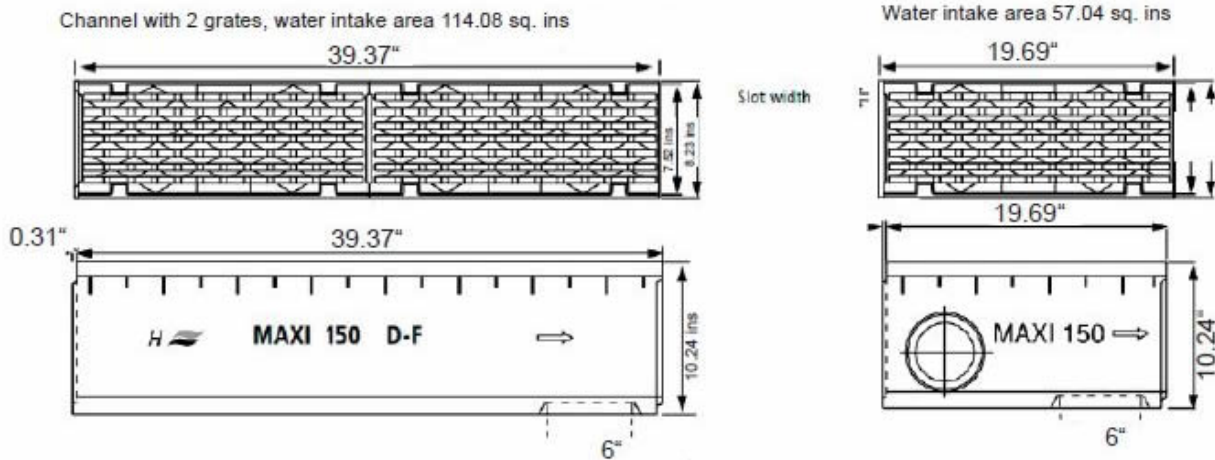


MAXI 5.91" [150] wide throat **Ductile Iron ADA Grate** is rated class D per the DIN EN1433 top load classifications. Ductile Iron conforms to ASTM specification A536-84, Grade 80-55-06. Supplied in 39.37" [1000] or 19.69" [500] nominal lengths with 0.94/0.47 [24/12] wide slots. Grate has an open area of 34.77 sq. in per ft. [73,600 sq.mm per meter].

<p>Manufacturer</p> 	<p>Specification</p> <p>HYDROTEC MAXI 150 SERIES FIBER REINFORCED CONCRETE WITH A DUCTILE IRON EDGE 6" WIDTH DRAINAGE CHANNEL. WITH SLOPE , SUPPLIED BY TRENCH DRAIN SUPPLY.</p>
--	---

DISCLAIMER - The customer and the customer's architects, engineers, consultants, and other professionals are completely responsible for the selection installation and maintenance of any product purchased from Trench Drain Supply and/or its manufacturers. TRENCH DRAIN SUPPLY MAKES NO WARRANTY, EXPRESS OR IMPLIED, AS TO THE SUITABILITY, DESIGN, MERCHANTABILITY, OR FITNESS OF THE PRODUCT FOR CUSTOMERS APPLICATION. The drawing and information provided remain the property and copyright of the manufacturer listed. The manufacturer reserves the right to modify specification without notice.

<p>Number MAXI 150 E Class Grate</p>	<p>Series MAX150 Trench Drain Grate MAXI 150</p>
--	--



MAXI 5.91" [150] wide throat **Ductile Iron ADA Grate** is rated class **E** per the DIN EN1433 top load classifications. Ductile Iron conforms to ASTM specification A536-84, Grade 80-55-06. Supplied in 39.37" [1000] or 19.69" [500] nominal lengths with 1.18/1.1 [30/23] wide slots. Grate has an open area of 40.63 sq. in per ft. [86,006 sq.mm per meter].

Manufacturer



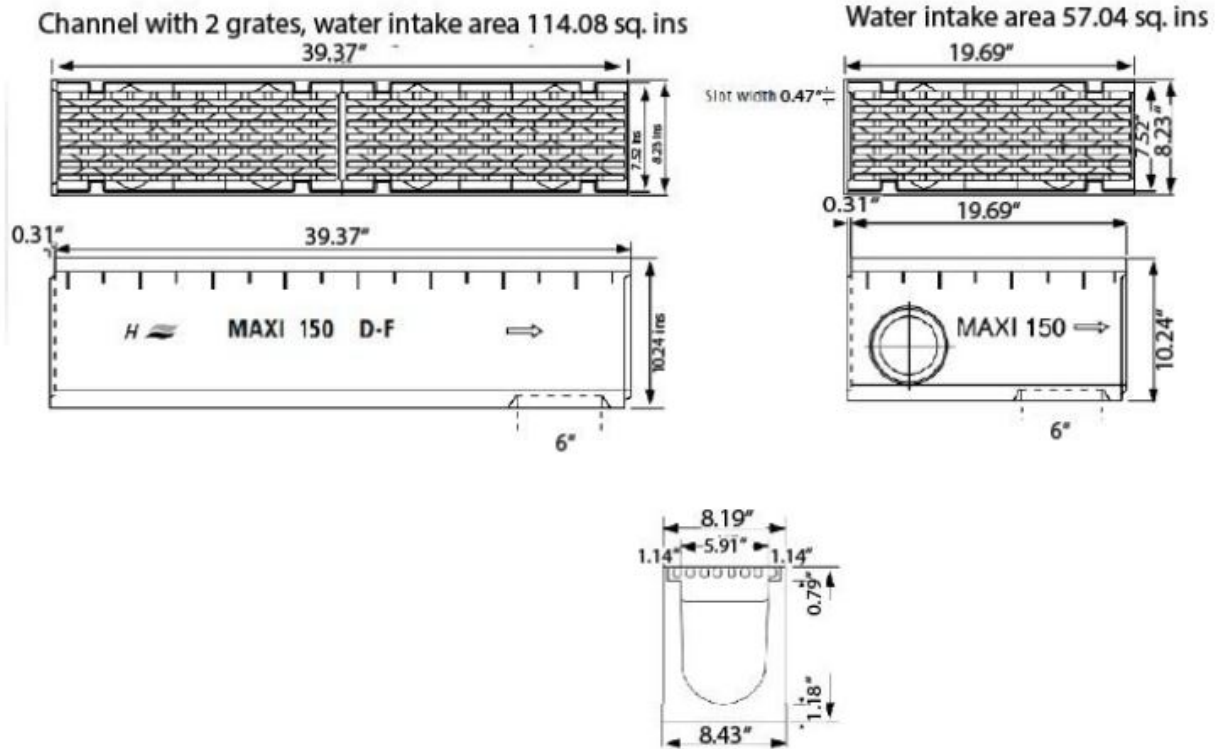
Specification

HYDROTEC MAXI 150 SERIES FIBER REINFORCED CONCRETE WITH A DUCTILE IRON EDGE 6" WIDTH DRAINAGE CHANNEL. WITH SLOPE , SUPPLIED BY TRENCH DRAIN SUPPLY.


DISCLAIMER - The customer and the customer's architects, engineers, consultants, and other professionals are completely responsible for the selection installation and maintenance of any product purchased from Trench Drain Supply and/or its manufacturers. TRENCH DRAIN SUPPLY MAKES NO WARRANTY, EXPRESS OR IMPLIED, AS TO THE SUITABILITY, DESIGN, MERCHANTABILITY, OR FITNESS OF THE PRODUCT FOR CUSTOMERS APPLICATION. The drawing and information provided remain the property and copyright of the manufacturer listed. The manufacturer reserves the right to modify specification without notice.

<p>Number MAXI 150 F Class Grate</p>	<p>Series MAX150 Trench Drain Grate MAXI 150</p>
--	--

MAXI150 with Ductile Iron ADA Load Class D (Part No. CHG61540-*) and ADA Load Class F (Part No. CHG61560-*)



MAXI 5.91" [150] wide throat **Ductile Iron ADA Grate** is rated class F per the DIN EN1433 top load classifications. Ductile Iron conforms to ASTM specification A536-84, Grade 80-55-06. Supplied in 39.37" [1000] or 19.69" [500] nominal lengths with 0.94/0.47 [24/12] wide slots. Grate has an open area of 34.77 sq. in per ft. [73,600 sq.mm per meter].

<p>Manufacturer</p> 	<p>Specification</p> <p>HYDROTEC MAXI 150 SERIES FIBER REINFORCED CONCRETE WITH A DUCTILE IRON EDGE 6" WIDTH DRAINAGE CHANNEL. WITH SLOPE , SUPPLIED BY TRENCH DRAIN SUPPLY.</p>
--	---

DISCLAIMER - The customer and the customer's architects, engineers, consultants, and other professionals are completely responsible for the selection installation and maintenance of any product purchased from Trench Drain Supply and/or its manufacturers. TRENCH DRAIN SUPPLY MAKES NO WARRANTY, EXPRESS OR IMPLIED, AS TO THE SUITABILITY, DESIGN, MERCHANTABILITY, OR FITNESS OF THE PRODUCT FOR CUSTOMERS APPLICATION. The drawing and information provided remain the property and copyright of the manufacturer listed. The manufacturer reserves the right to modify specification without notice.